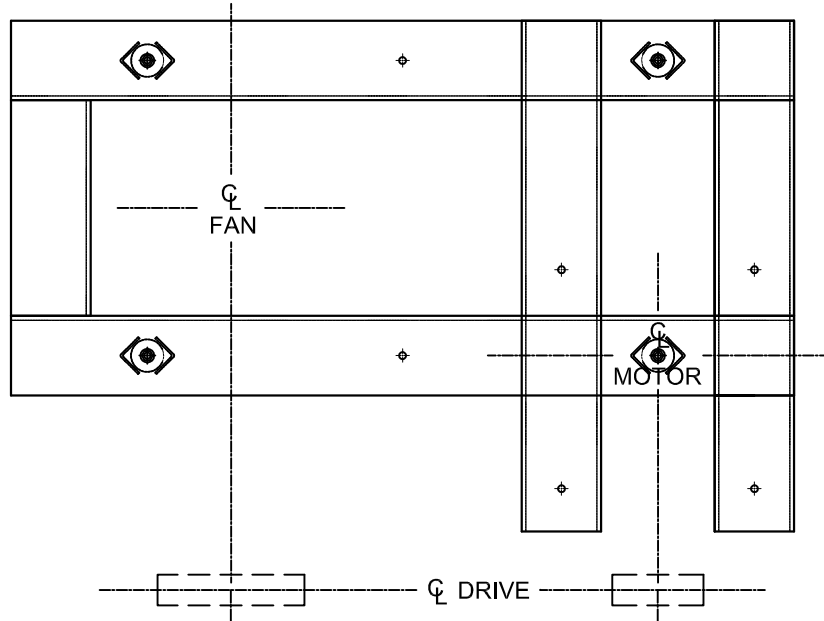
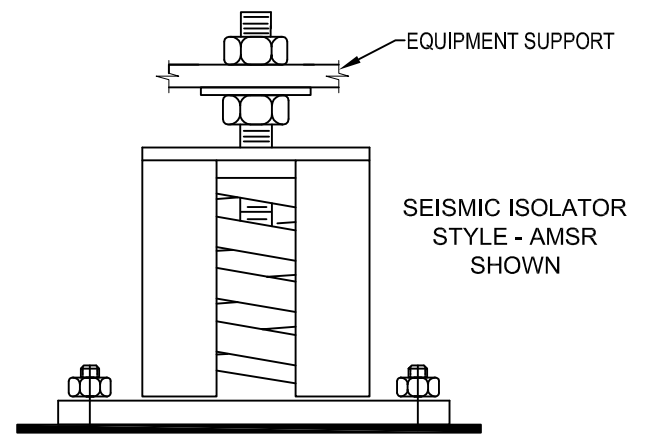


REV.	DESCRIPTION	DATE	BY

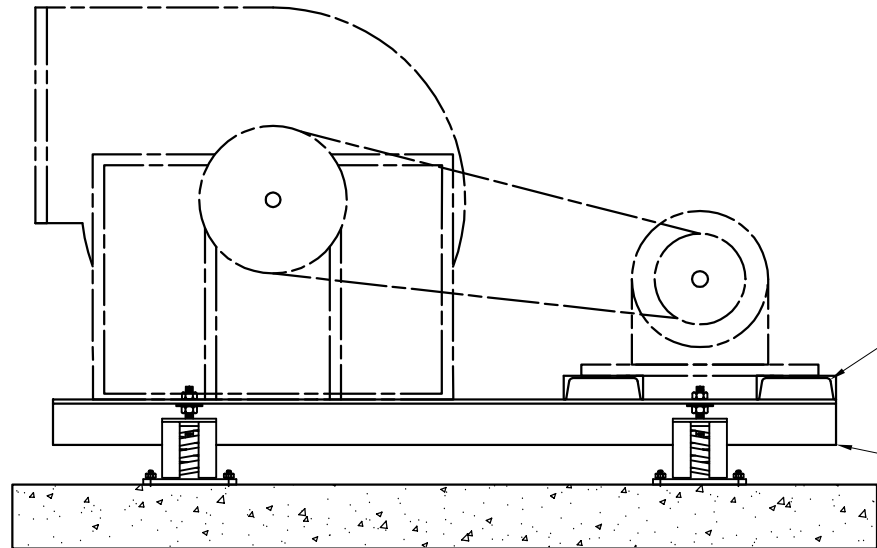


NOTE:
 STEEL MEMBERS ARE STANDARD AISC STRUCTURAL SECTIONS SIZED TO PROPERLY SUPPORT LOAD AND TO LIMIT STEEL BEAM DEFLECTION TO 0.05" MAXIMUM DUE TO BELT PULL AND STARTING TORQUE.

WHEEL DIAMETERS 12-1/4" TO 36-1/2" ANGLE CONSTRUCTION
 40-1/4" TO 54-1/4" ANGLE OR WIDE FLANGE CONSTRUCTION 60"
 AND LARGER WF AND CHANNEL CONSTRUCTION.



BRACKETS NOT REQUIRED FOR ANGLE CONSTRUCTION.
 WF BASES FURNISHED WITH HEIGHT-SAVING BRACKETS.



NEMA STANDARD
 MOTOR SLIDE RAIL
 IF REQUIRED (BY OTHERS)

STEEL MEMBER VARIES.
 ANGLE CONSTRUCTION SHOWN

OTHER MATERIALS, COMPOUNDS, OR FINISHES WITH EQUAL OR SUPERIOR PROPERTIES MAY BE SUBSTITUTED AS THEY BECOME AVAILABLE.

CERTIFIED FOR:


JOB NAME: _____

CUSTOMER : _____


CUSTOMER P.O.: _____

SALES ORDER: _____

**MODEL SFB INTEGRAL STEEL FAN AND
 MOTOR BASE 2 INCH DEFLECTION
 WITH SEISMIC ISOLATORS**



THE VMC GROUP
The Power of Together
 Bloomingdale, NJ 07403
 Houston, TX 77041

SCALE: NONE	
SHEET: 1 OF 1	
DRAWING NO.:	REVISION